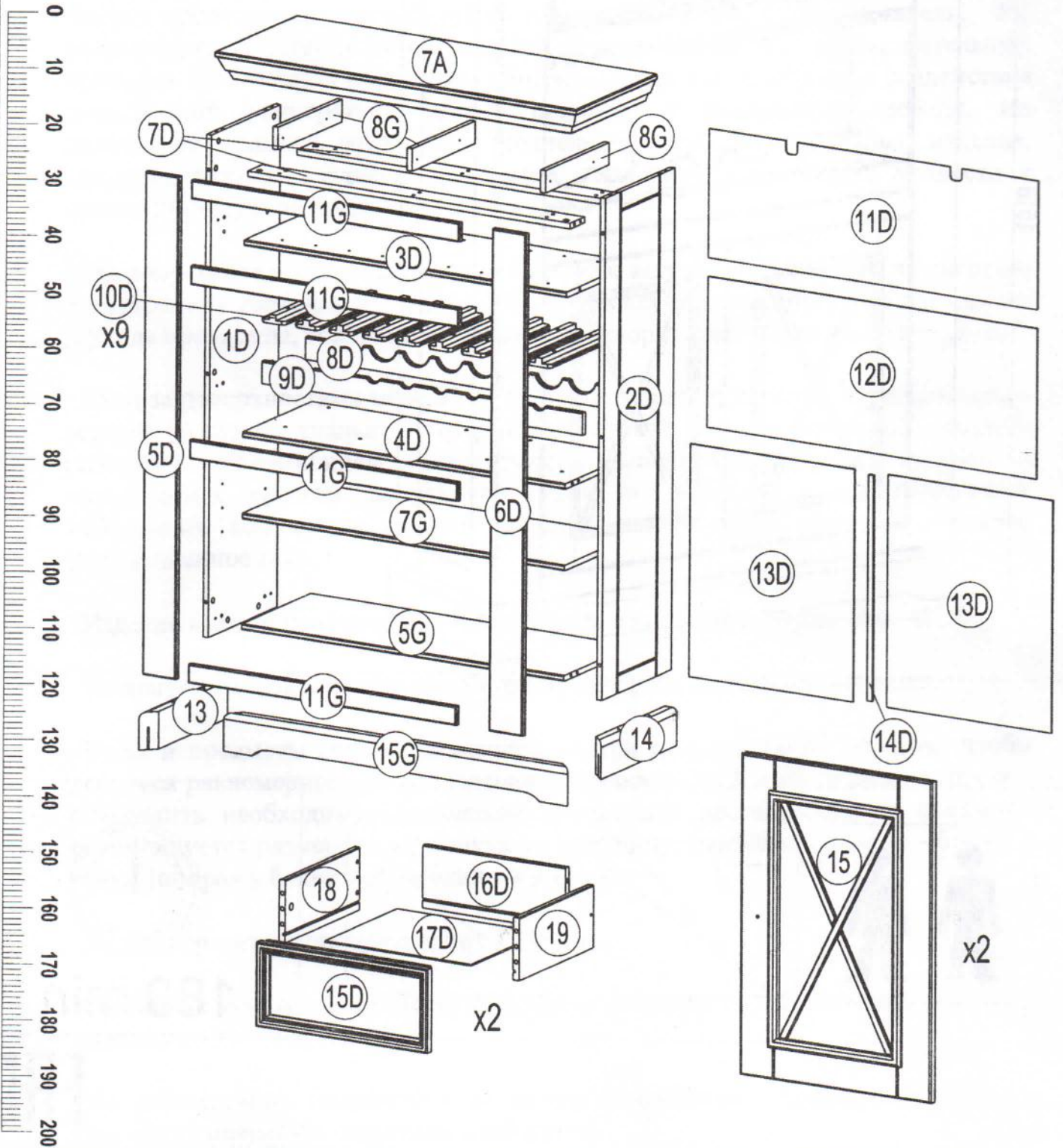
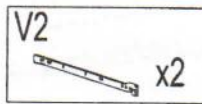
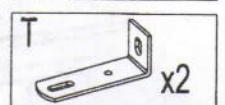
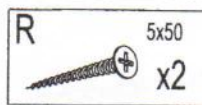
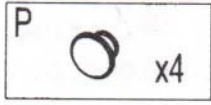
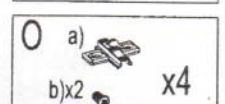
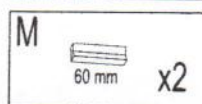
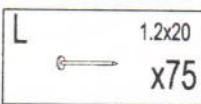
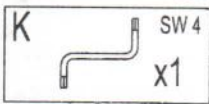
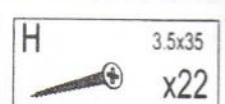
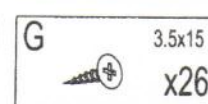
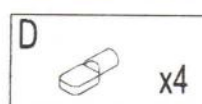
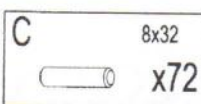
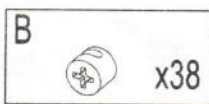
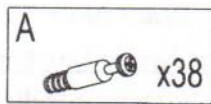
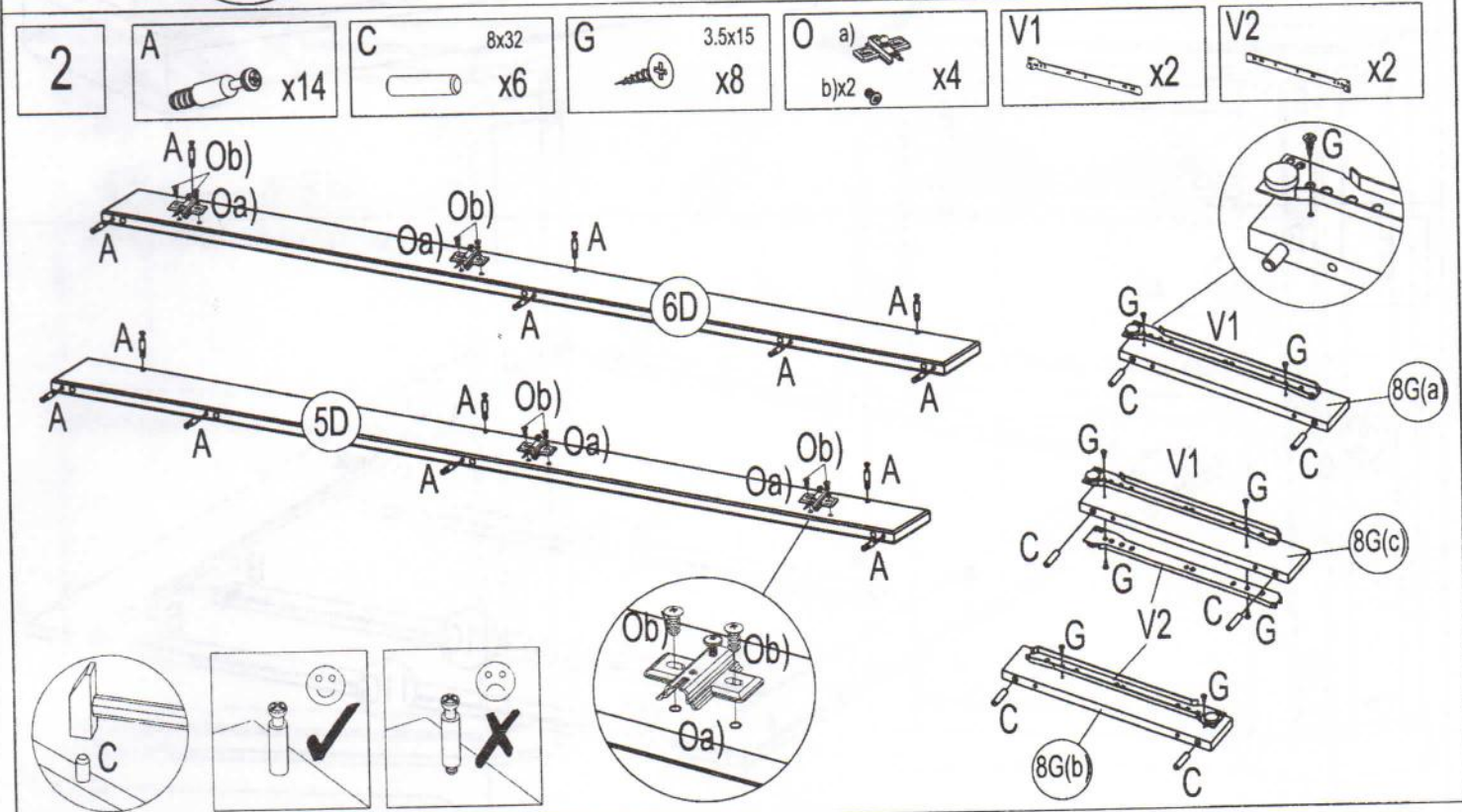
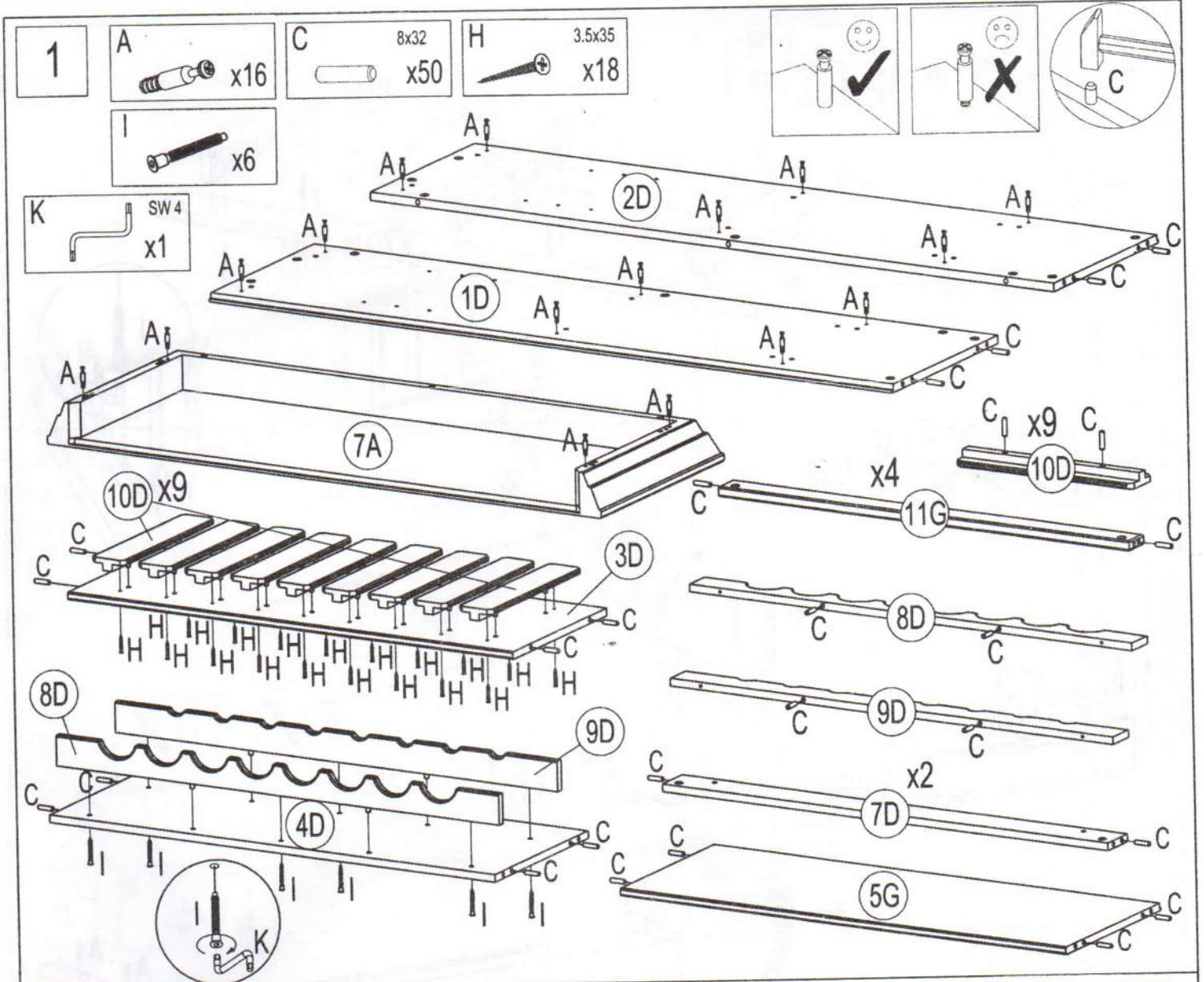


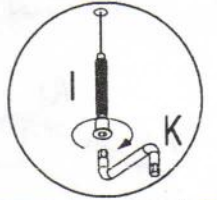
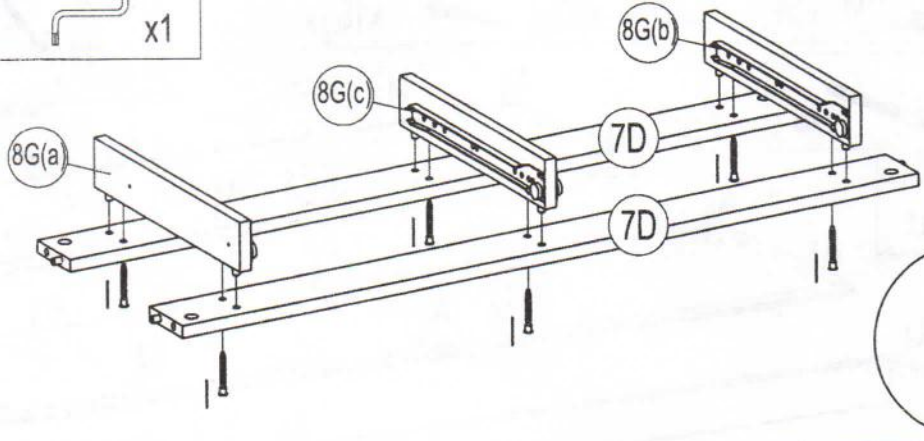
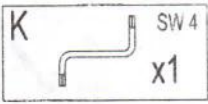
180 min

EAC

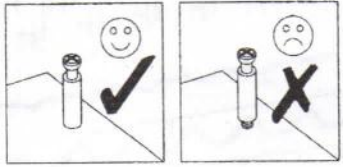
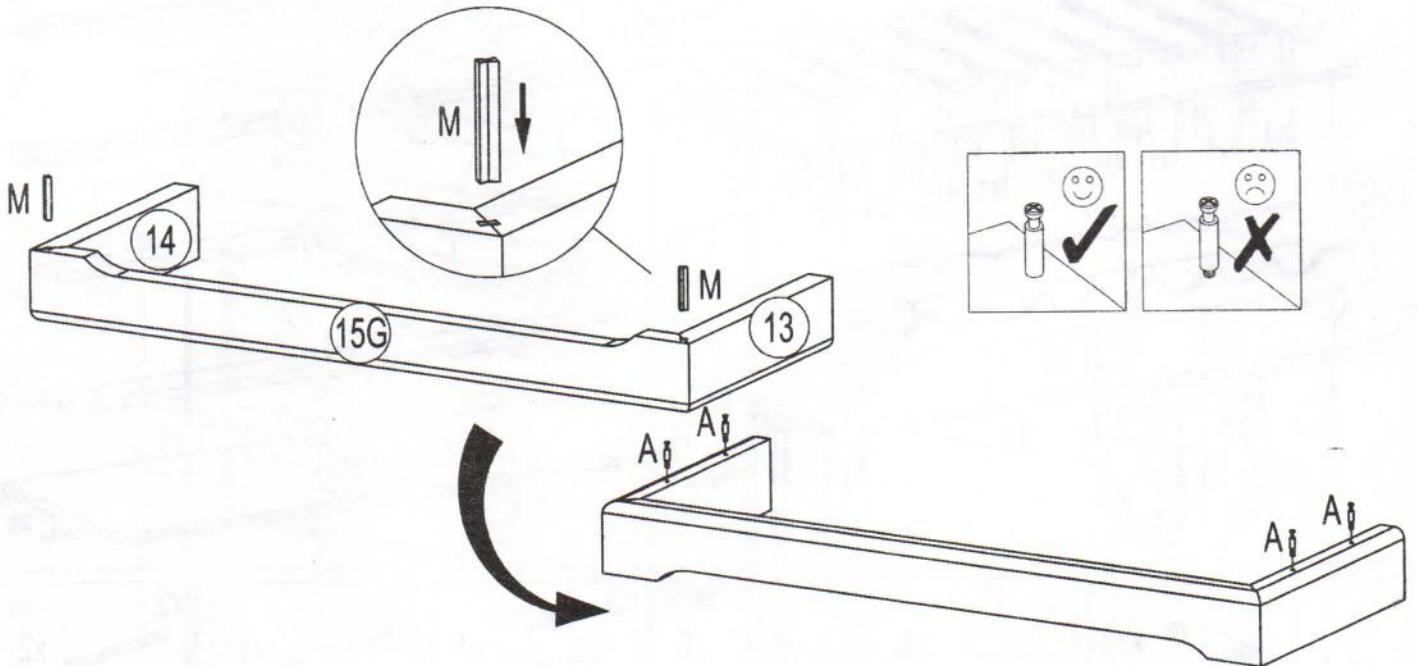
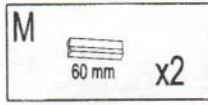




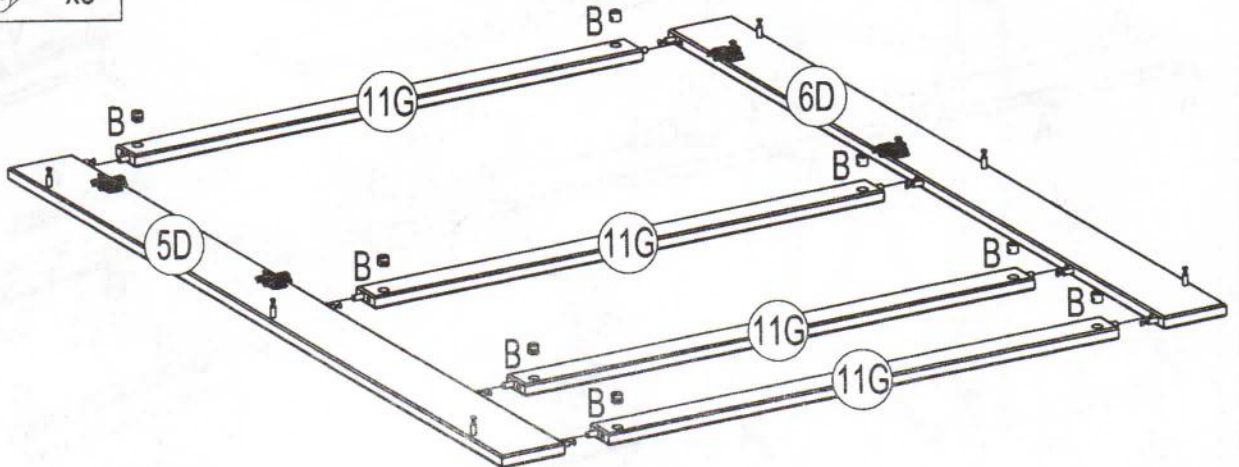
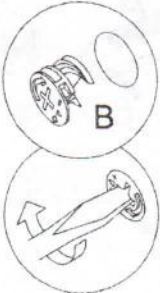
3



4

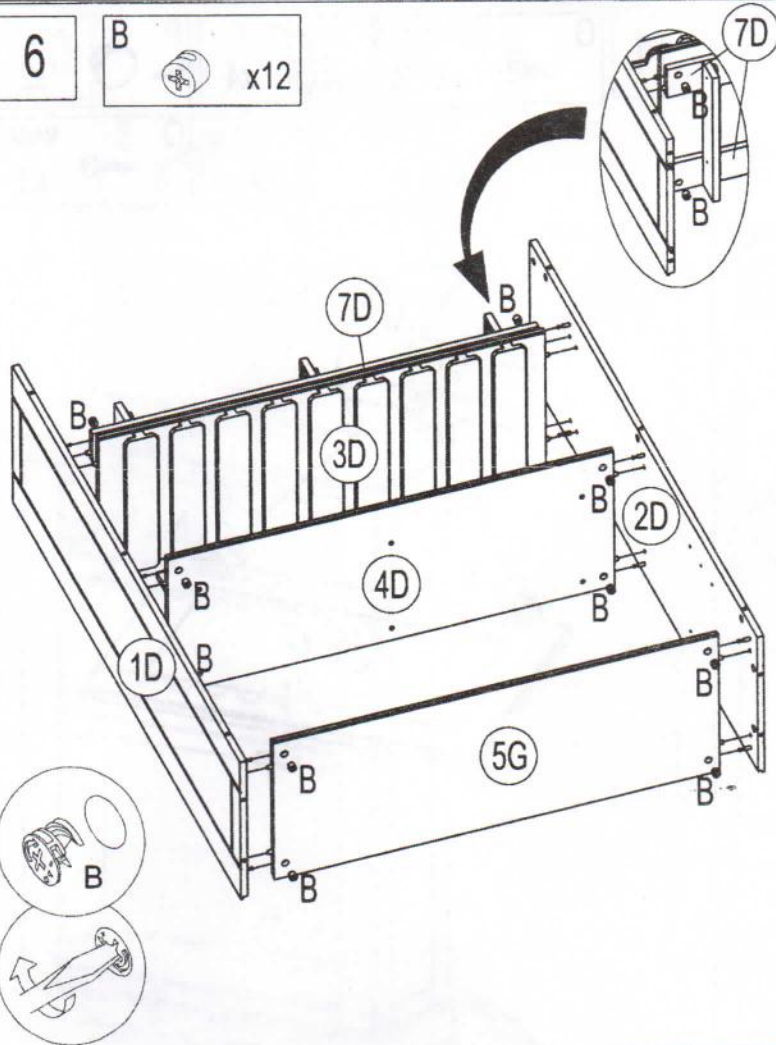


5



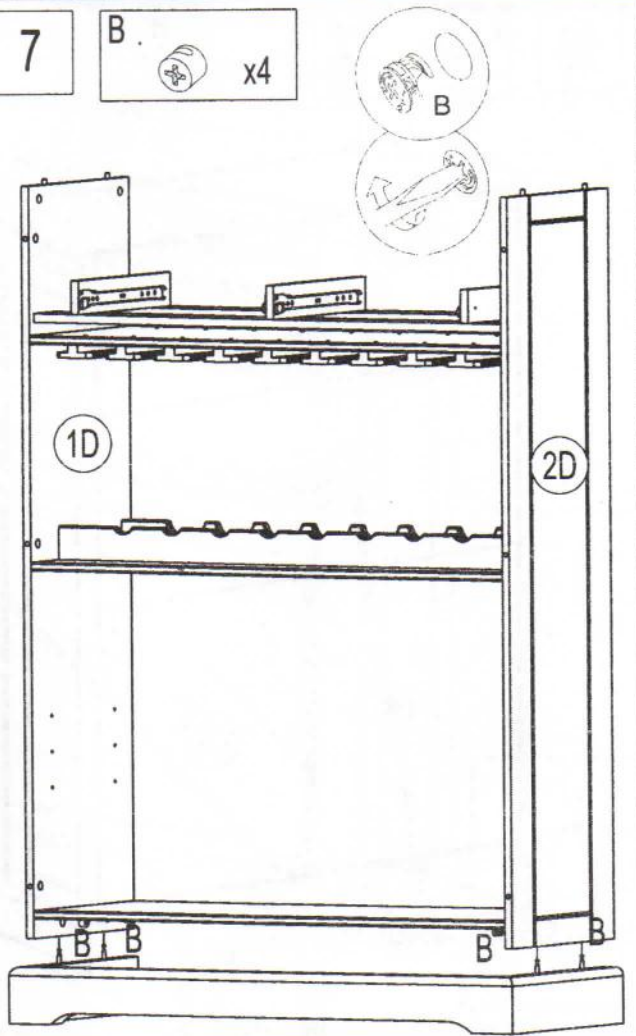
6

B x12



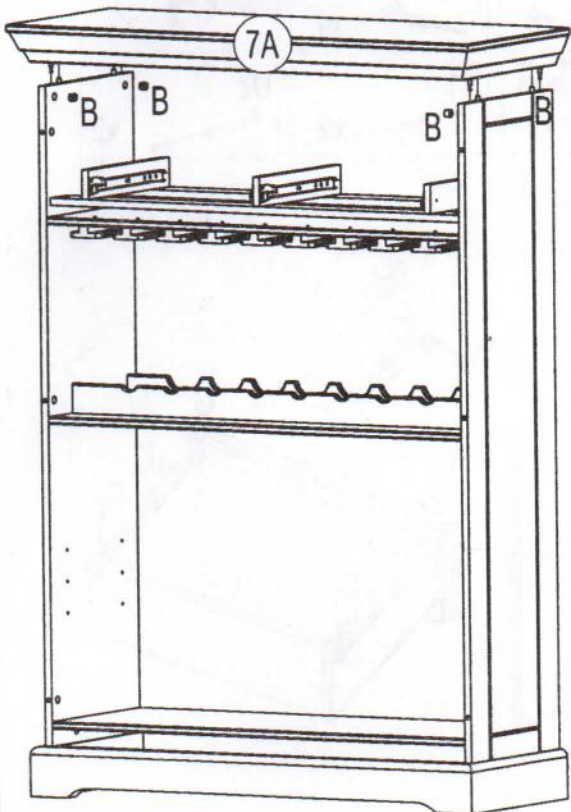
7

B x4



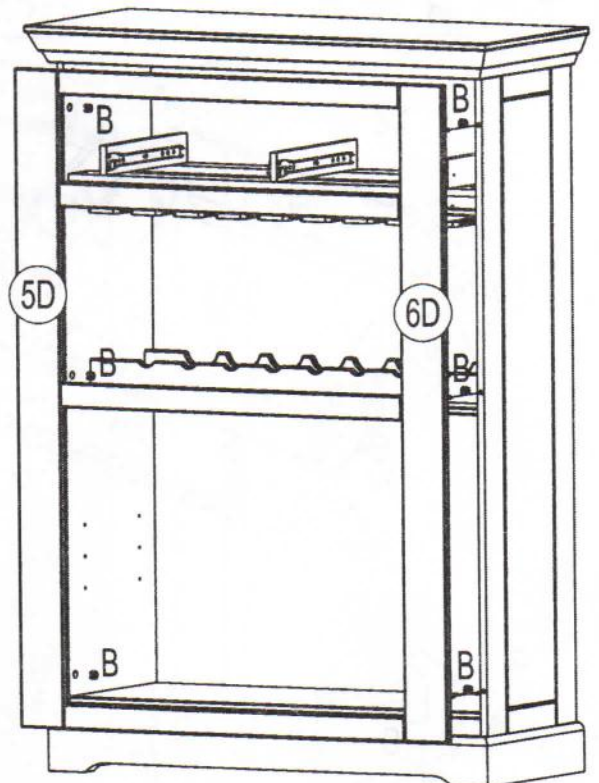
8

B x4



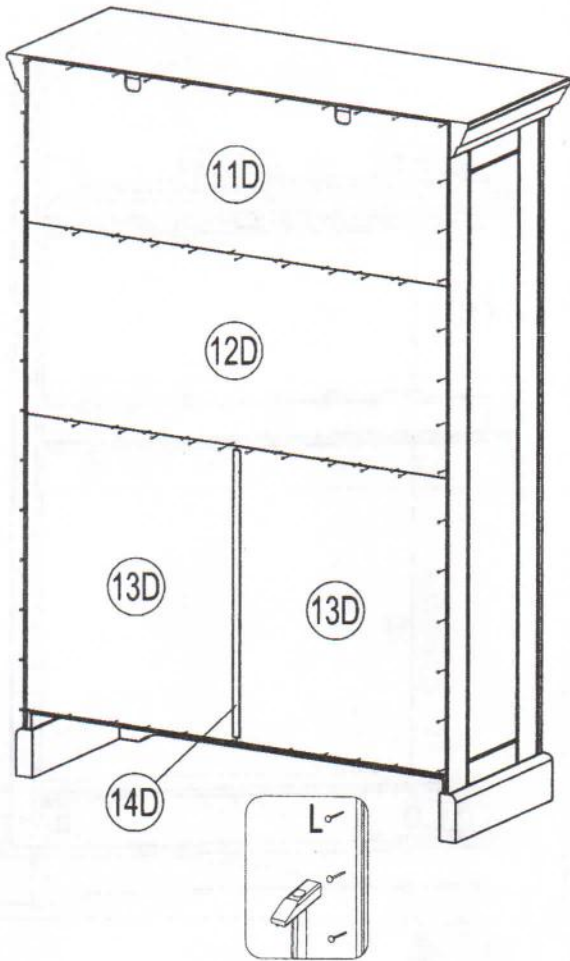
9

B x6



10

L 1.2x20
x75



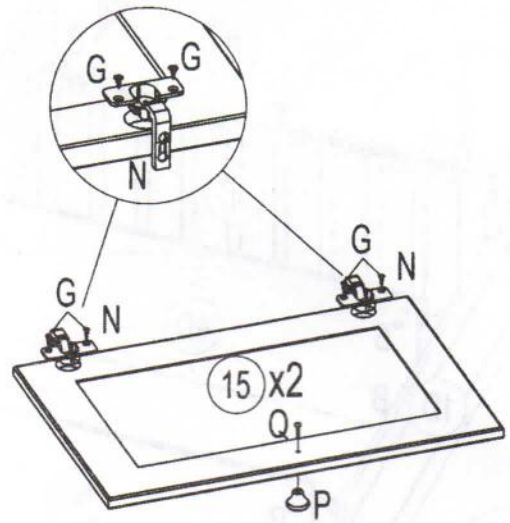
11

G 3.5x15
x8

N x4

P x2

Q M4x22
x2



12

A x4

B x4

C 8x32
x16

G 3.5x15
x8

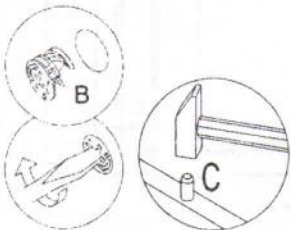
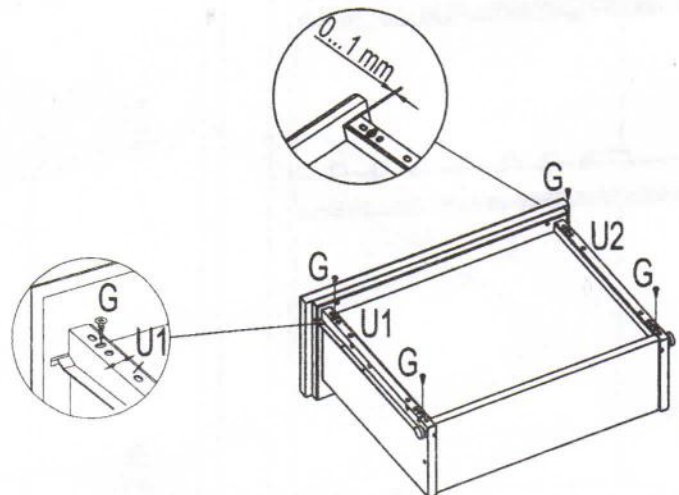
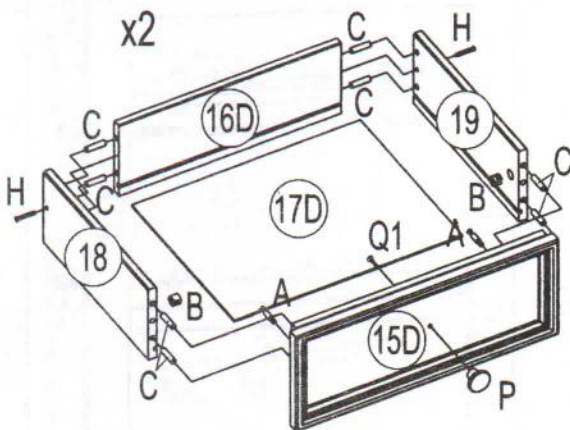
H 3.5x35
x4

P x2

Q1 M4x18
x2

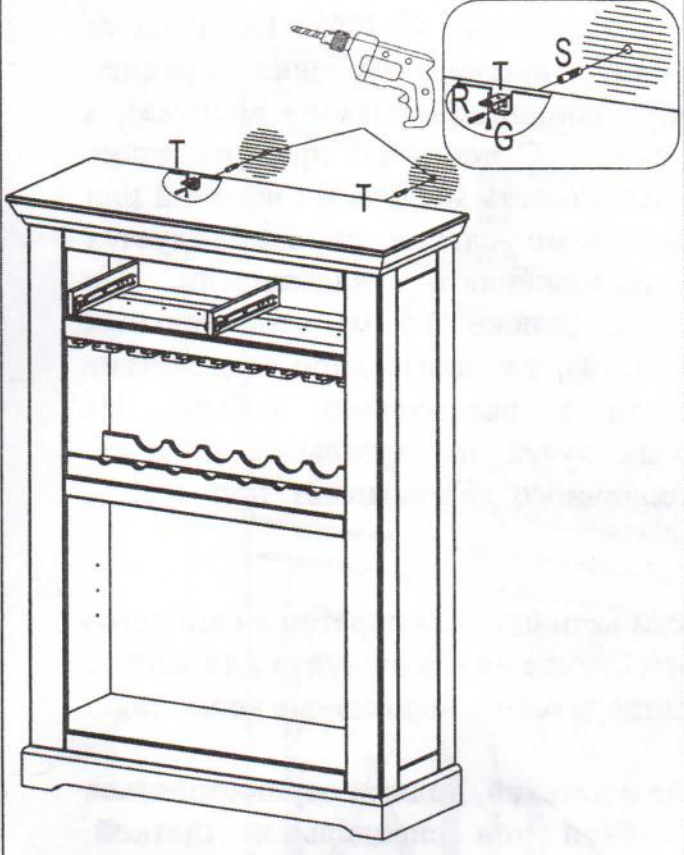
U1 x2

U2 x2



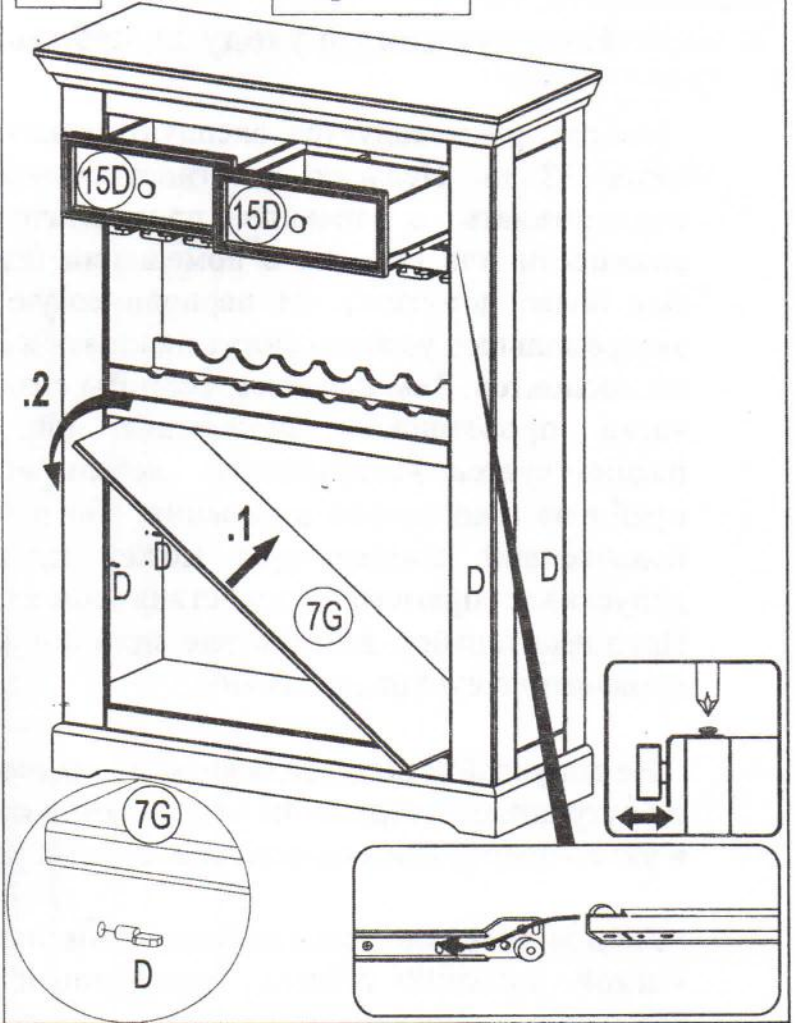
13

- G 3.5x15 x2
- R 5x50 x2
- S 8x50 x2
- T x2



14

- D x4



15

